



Kendrick RCS Heater for Secondary Mirror

Scope of delivery:

- 1 x 12 vdc flex heater with wire extension.
- 1 x RCA Male to Male patch cord.
- 1 x copper foil strip (18").
- NOTE: This heater has been factory tested and verified to be in proper working order.

This heater cannot be cut or resized in any way as it will ruin the heater and void your warranty. Avoid sharp, tight bends when installing as tight or acute bending can break the fine heater wires inside the heater.

Manufacturers build their RC scopes with various mechanical configurations. Consequently there is no standard installation method. We do include these basic installation procedures with our RCS heaters but, ultimately it is up to you as the owner of your RC scope to determine the best procedure to install this heater onto your telescope.

The heater is intended to be wrapped around the outside of the secondary mirror shroud and held in place with the black tape included in your heater package. The tape has been cold tested and will stay attached to your secondary mirror housing in sub zero temperatures. We recommend installing the heater on the shroud first using the included fabric tape to hold the heater in place and then running the heater wires across the spider assembly second.

SKIP this paragraph if you do not want to use the copper tape to reduce your wire profile across your light path. We have included an adhesive copper tape that the heater wires may be soldered to (see the page with illustrated instructions on how to do this). This will require you to solder the wires to the copper strip and then epoxy the copper tape/wires at the solder connections. The soldering will burn off the double sided tape at the soldering point, thus the need to epoxy in place to prevent the tape from tearing.

If you do not plan to use the copper tape, connect the other pair of white wires to the male spade connectors on the wires coming from the heater. Then, using the black fabric tape, secure the white wires against one of the spider vanes.

Connect the black male to male RCA patch cord to the female RCA connector coming from your heater. Connect the other end to your Kendrick Dew Controller.

We recommend a controller setting of 30% to 40%. Adjust this setting according to your site's environment and your user experience.

Required, but not included with this kit is Black Fabric Tape which will be an easy through Amazon/EBay/etc. You might find it at a local retail store. Web links change, so simply search for these key words and you will find what you need: Harness Tape, Heat Resistant Fabric Cloth Tape, Adhesive Automotive Wire Loom Tape for Wrapping, Car Wiring



Automotive Wiring Harness Cloth Tape, High Temp Wire Harness Wrapping Tape, Black Adhesive Fabric Tape, Noise Damping Heat Proof (19MM x 25M)(2 Rolls)

Brand: Ergonflow
 ★★★★★ 1,075 ratings | 7 answered questions

\$7.70 (\$3.85 / Count)

& FREE Returns

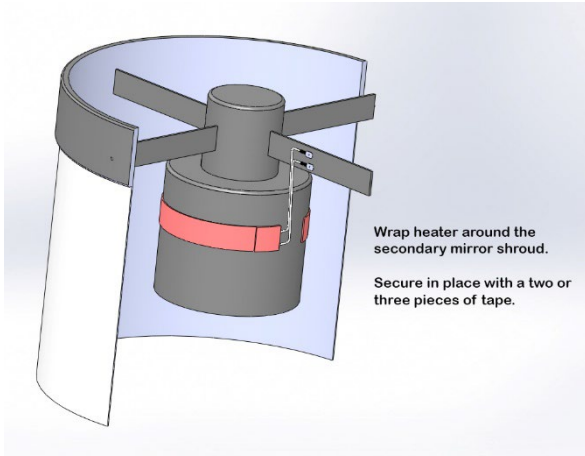
Use Amazon Currency Converter at checkout to pay for this item in your local currency. Terms & Conditions apply. Learn More

Material: Cloth
 Size: 19MM x 25M
 Color: Black

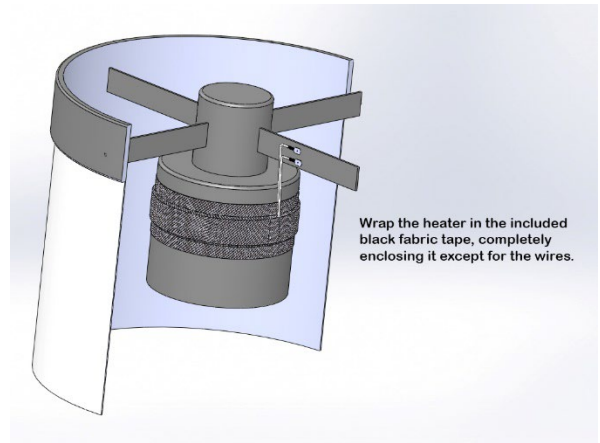
is
find
also

Fabric tape is preferable to vinyl electrical tape because of the dull low reflectivity.

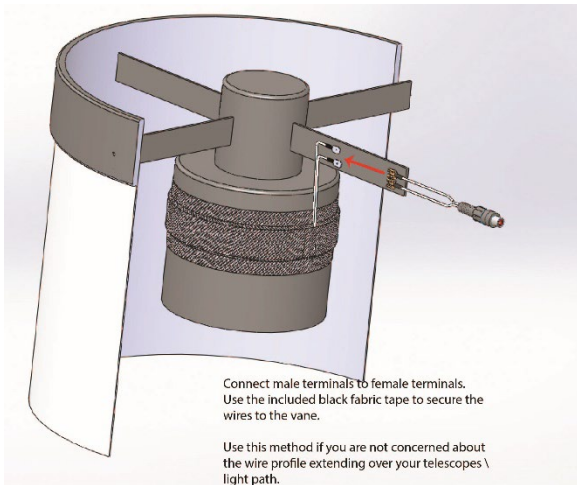
Step #1



Step #2



Step #3



Step #4

